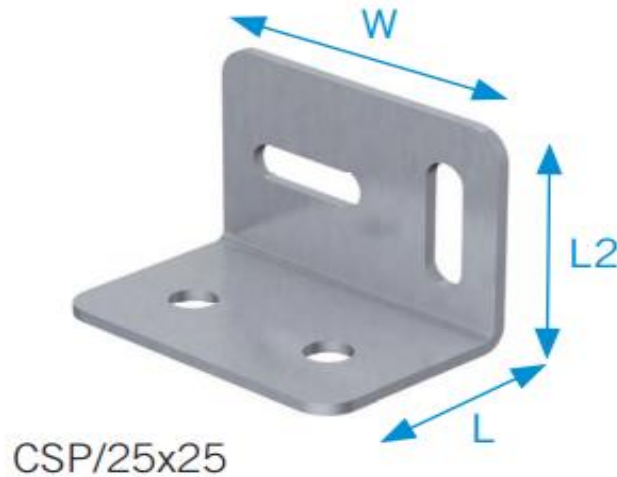


Angle Brackets

Produced from galvanised steel to BS EN 10346:2009 + G275 as standard, or stainless steel grade 304 to BS EN 10088-2 Grade 1.4301, available to order.



CSP Corner Stretcher Plate

Corner stretcher plate for DIY and professional fixing applications. Manufactured from pre-galvanised mild steel.

Dimensions

Product code	Dimensions [mm]				Outer Box Quantity
	T	W	L	L2	
CSP/25x25/10PK	1.0	38	25	25	150 x 10PK