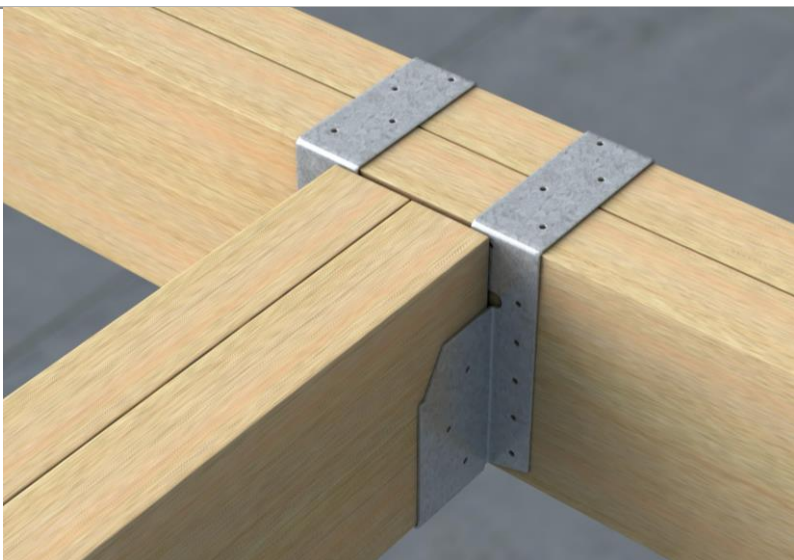
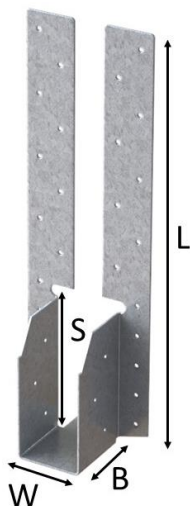


B340 Medium Duty Hanger (Standard Leg)

The B340 is a 1.2mm thick galvanised steel medium duty joist hanger designed with 50mm wide legs, suitable for joist depths of up to 250mm. The design features a location tab on the hanger base, allowing quick and accurate alignment of the hanger. Produced from galvanised steel to BS EN 10346 DX51D + G275 as standard, or stainless steel available to order. Galvanised hangers must be fixed using 30mm x 3.75mm sherardised square twisted nails in all pre-punched holes.



Product

B340

Features:

- Quick and easy to install
- Thin profile No notching required
- Low side flange (S)

Fixings:

- 3.35 x 30mm sherardised square twist nail

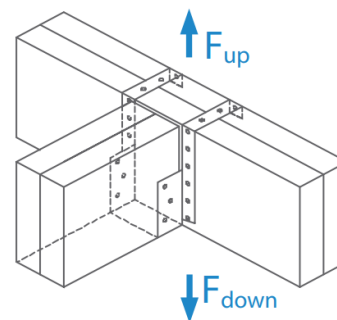
Approvals:

- CE Marked
- UKCA Marked

Packaging:

- Box Quantities of 50

Load Directions



Product Details									
Product code	Dimensions (mm)				Holes no. 4.0 Ø (mm)			Characteristic Capacity (kN)	
	W	L	B	S	Legs	Side Flange	Bearing	F _{up}	F _{down}
B340/38	38	345	50	120	26	6	2	2.47	15.0
B340/44	44	342		117				2.76	
B340/47	47	341		116				2.76	
B340/50	50	340		114				2.76	
B340/63	63	335		108				2.76	
B340/75	75	345		120				2.76	
B340/88	88	338		114				2.76	
B340/91	91	337		113				2.76	
B340/100	100	333		108				2.76	
B340/125	125	345		120				2.76	
B340/150	150	333		108				2.76	

Note: Refer to fixing data sheet for fixing information.