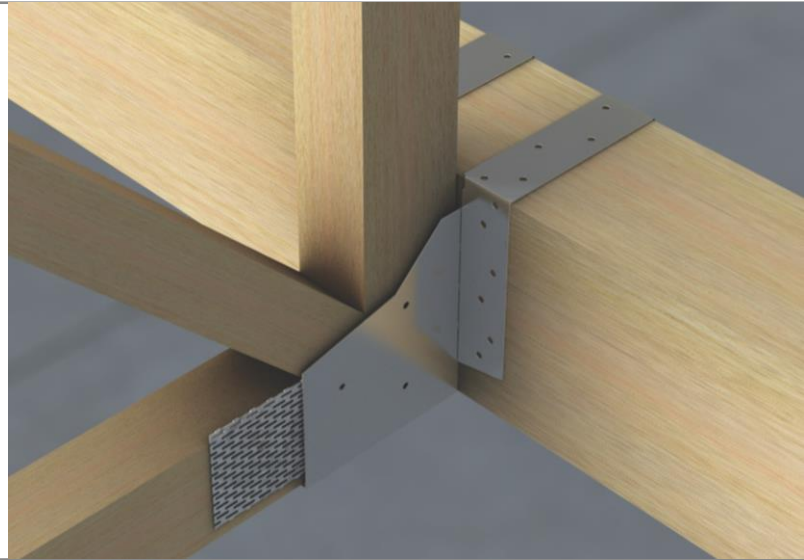
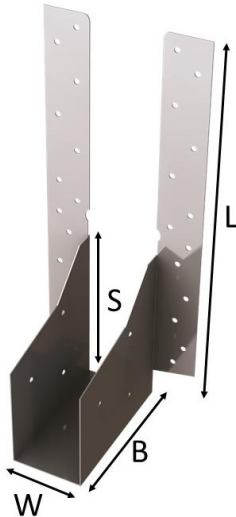


# GTS Girder Truss Shoe

The GTS is designed to provide a structural connection between a truss and a girder truss or beam. Manufactured from 1.2mm thick galvanised steel to BS EN 10346 + G275. Features a location tab allowing easy accurate alignment of the hanger. Suitable for face fix or wrap-over fixing.



## Product

### GTS

Features:

- Quick and easy to install

Fixings:

- Type A, 30 x 3.75mm Sherardised Square Twist Nails
- Type B, 35 x 3.75mm.
- Minimum 2 x 9 No. fasteners fixed in the header face and 2 x 3 No. fasteners fixed in the header top edge

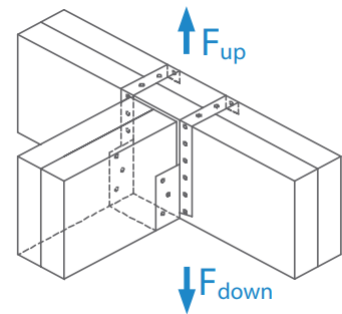
Approvals:

- CE Marked
- UKCA Marked

Packaging:

Box Quantities of 50

## Load Directions



Product code		Product Details							Characteristic Capacity (kN)											
		Dimensions (mm)				Holes no. 4.0 Ø (mm)			C16 Timber				C24 Timber*				TR26 Timber**			
		W	L	B	S	Legs	Side Flange	Bearing	Type A nails		Type B nails		Type A nails		Type B nails		Type A nails		Type B nails	
									F <sub>up</sub>	F <sub>down</sub>	F <sub>up</sub>	F <sub>down</sub>	F <sub>up</sub>	F <sub>down</sub>	F <sub>up</sub>	F <sub>down</sub>	F <sub>up</sub>	F <sub>down</sub>	F <sub>up</sub>	F <sub>down</sub>
GTS800/38	38	343	100	116	26	8	2	3.71	13.70	3.89	13.95	4.19	14.92	4.40	15.19	4.43	15.42	4.65	15.71	
GTS800/44	44							4.14	14.27	4.51	14.77	4.67	15.56	5.09	16.12	4.94	16.10	5.38	16.69	
GTS800/47	47							4.14	14.27	4.82	15.18	4.67	15.56	5.44	16.58	4.94	16.10	5.75	17.18	
GTS800/50	50							4.14	14.27	4.86	15.23	4.67	15.56	5.48	16.64	4.94	16.10	5.80	17.25	
GTS800/63	63							4.14	14.27	4.86	15.23	4.67	15.56	5.48	16.64	4.94	16.10	5.80	17.25	
GTS800/75	75							4.14	14.27	4.86	15.23	4.67	15.56	5.48	16.64	4.94	16.10	5.80	17.25	
GTS800/88	88							4.14	14.27	4.86	15.23	4.67	15.56	5.48	16.64	4.94	16.10	5.80	17.25	
GTS800/91	91							4.14	14.27	4.86	15.23	4.67	15.56	5.48	16.64	4.94	16.10	5.80	17.25	
GTS800/100	100							4.14	14.27	4.86	15.23	4.67	15.56	5.48	16.64	4.94	16.10	5.80	17.25	

Note: Refer to fixing data sheet for fixing information.

\*Values may be used for wrapped over the top edge of the header

\*\* Use C24 values for wrapped header plates