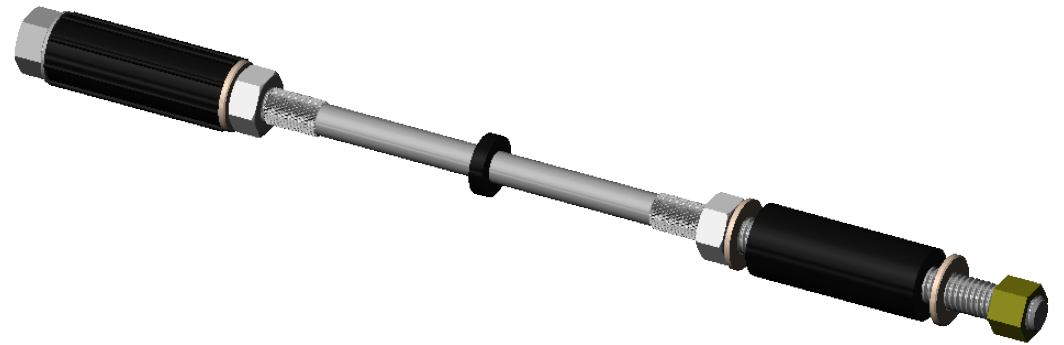
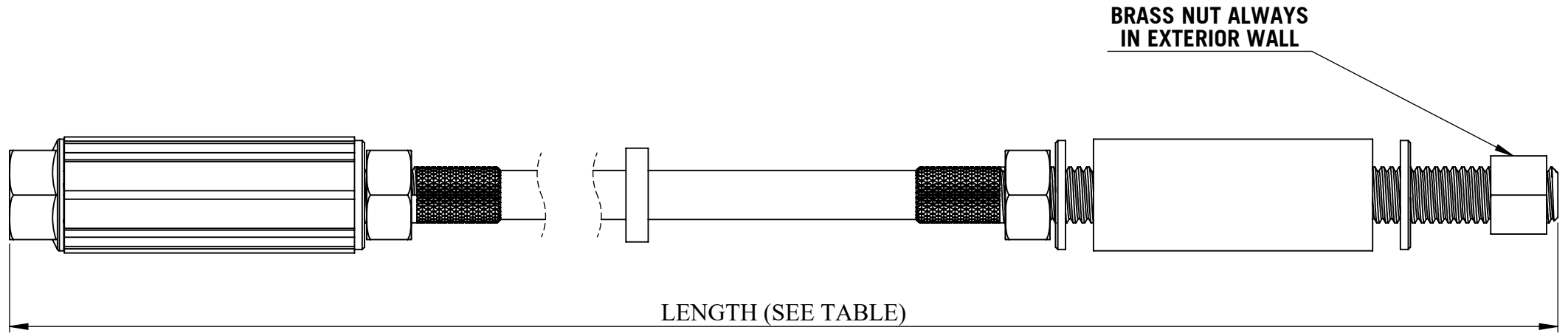


REM Mechanical Remedial Tie



STOCK SIZES (LENGTH x HOLE ϕ)	
STAINLESS STEEL	BRASS
150 x 11mm (Hole Size)	150 x 10mm (Hole Size)
200 x 11mm (Hole Size)	200 x 10mm (Hole Size)
225 x 11mm (Hole Size)	225 x 10mm (Hole Size)
250 x 11mm (Hole Size)	
300 x 11mm (Hole Size)	

Proven Products
Reliable Service
Competitive Prices

