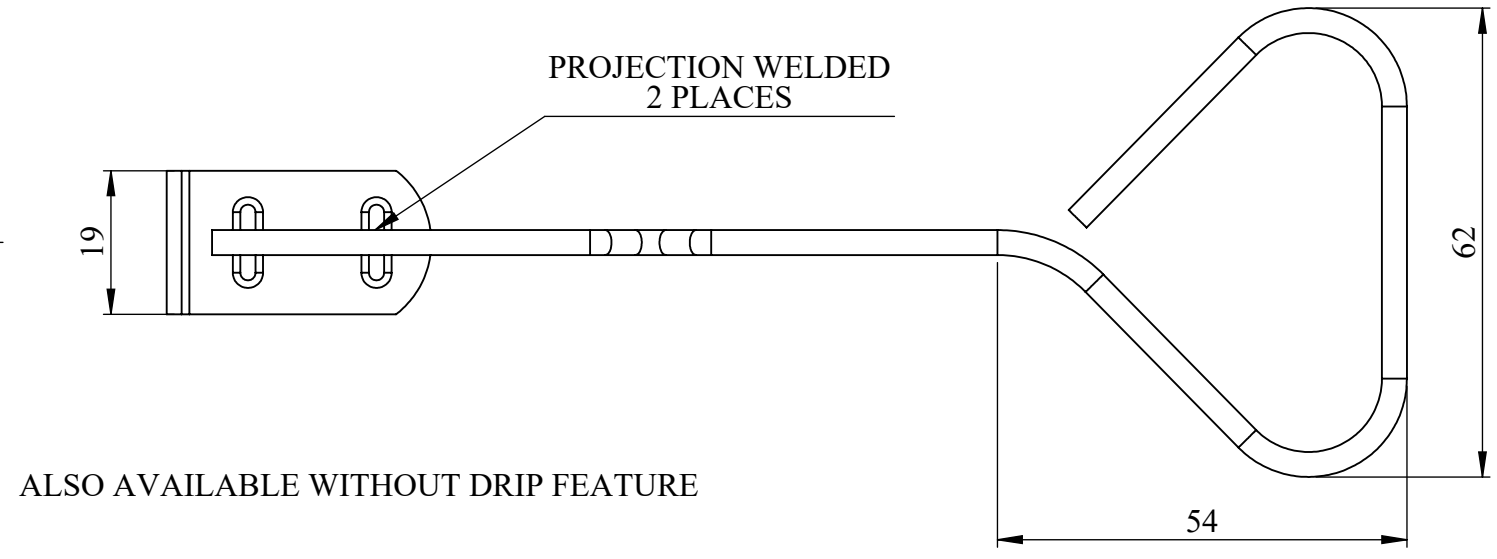
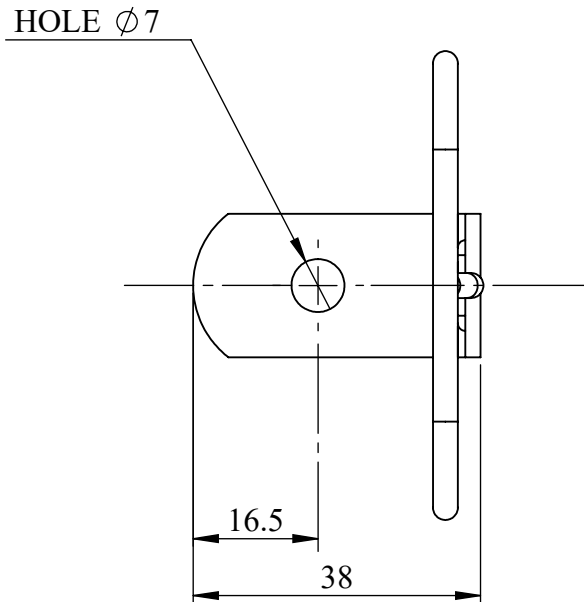
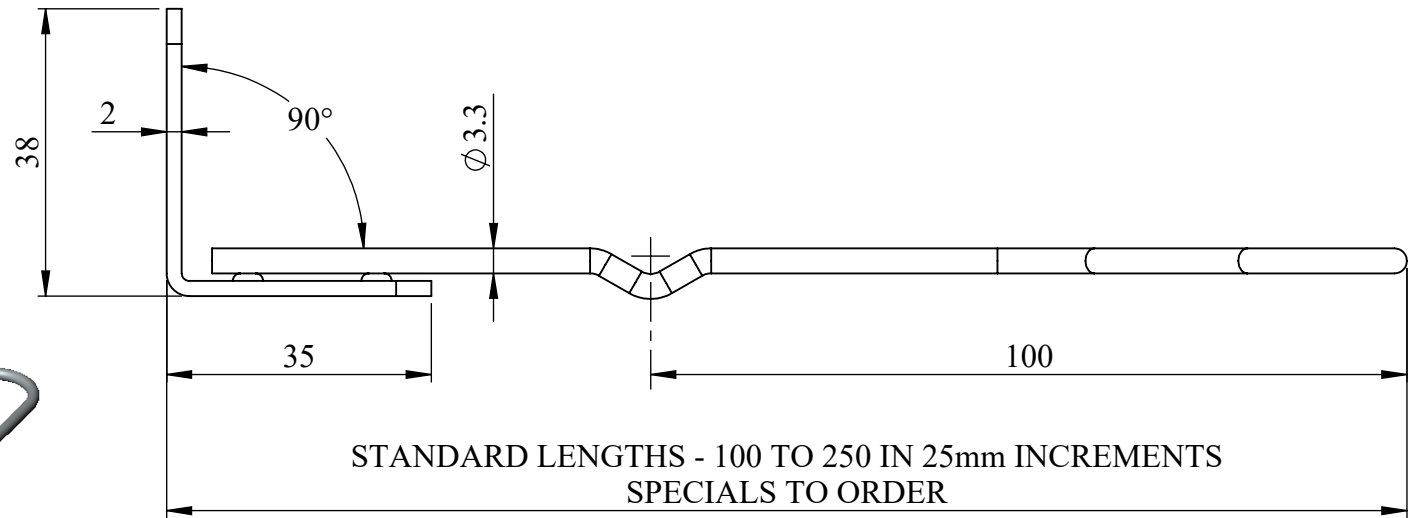
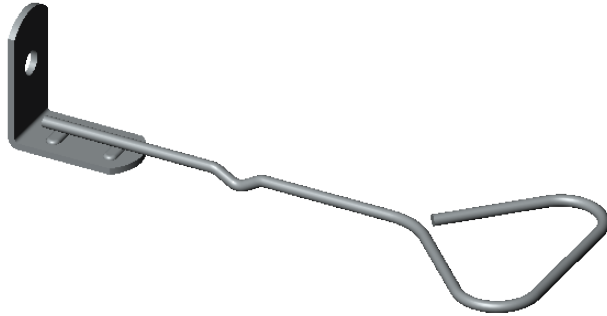


V96 Wire Frame Cramp



Proven Products
Reliable Service
Competitive Prices

