



Contact Name:

Contact Phone No.

E-Mail:

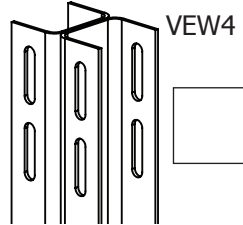
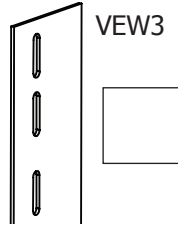
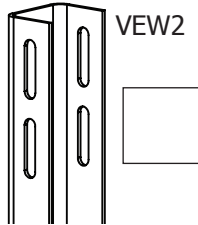
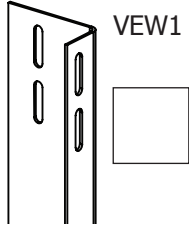
Site Address

Project:

Date Required:

Order No.

Post Type - Please tick relevant box



Structural Opening

Qty Reqd =

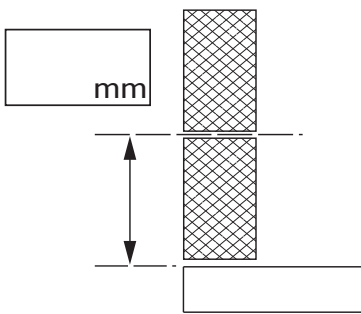
Section Size =

Design Load/Post (kN) ULS =

Top Connection - Please tick required top connection type and confirm sizes / dimensions requested

Base Connection - Please tick required base connection type and confirm sizes / dimensions requested

First Tie Position

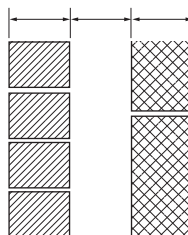


Masonry Construction Dimensions

Brick=  mm

Cavity=  mm

Block=  mm



Additional Comments

Signature \_\_\_\_\_

Date \_\_\_\_\_