

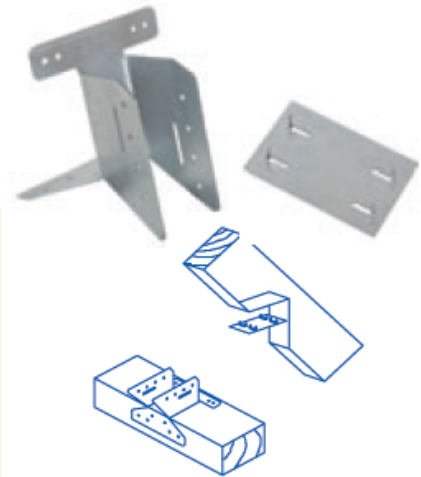
## Data Sheet GS

### Glide Shoe

A purpose made galvanised metal bracket specifically designed to allow raised tie or scissor trussed rafters to

achieve designed deflection, both horizontally and vertically.

Available ex-stock in the sizes below.



Other widths available to order.

Product Reference	Widths	Box Qty.
GS/38	38mm	100
GS/50	50mm	100
GS/75	75mm	50
GS/100	100mm	50
GS/150	150mm	50
GS/200	200mm	50

