

Data Sheet AP

Angle Plate

A versatile range of 2.5mm thick galvanised brackets and plates, suitable for nail or screw fixing, used to

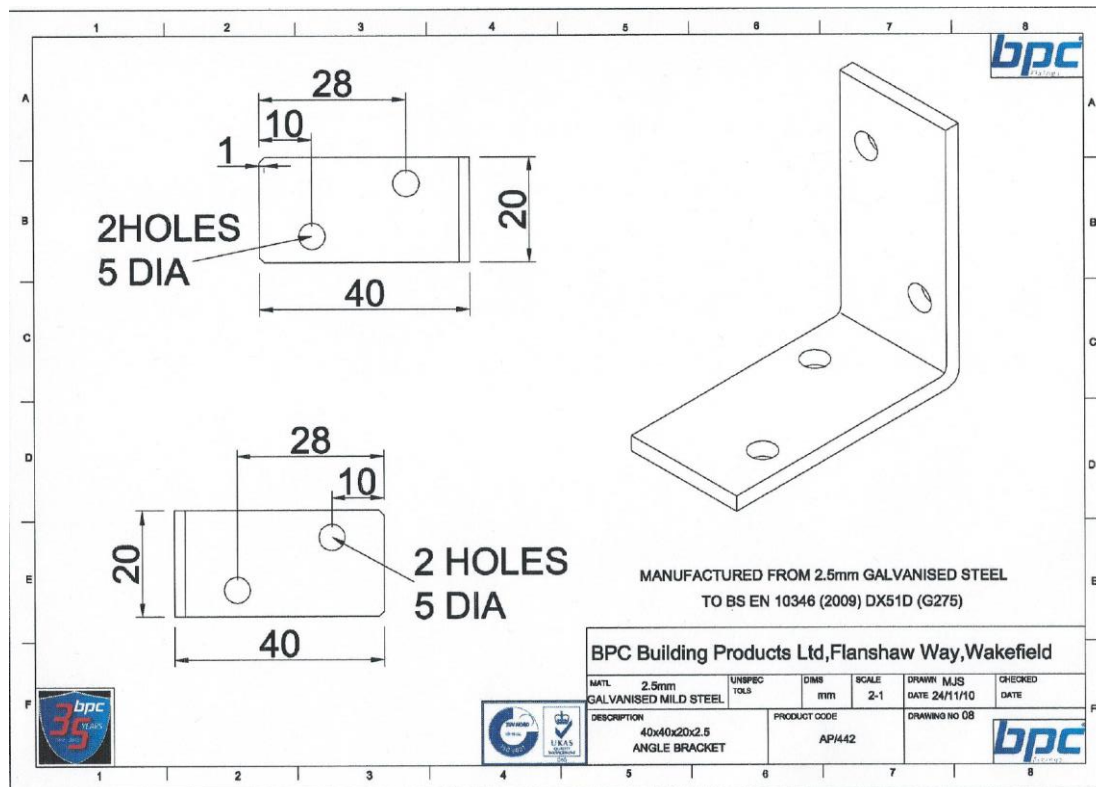
strengthen timber joints. AP/664 also available in stainless steel material from stock.

Product Reference	Size	Box Qty.
AP/442	40x40x20mm wide	500 (20 polybags of 25 pieces)
AP/444	40x40x40mm wide	100
AP/664	60x60x40mm wide	100
AP/666	60x60x60mm wide	100
AP/888	80x80x80mm wide	100
AP/60x200F	60x200mm Flat	100

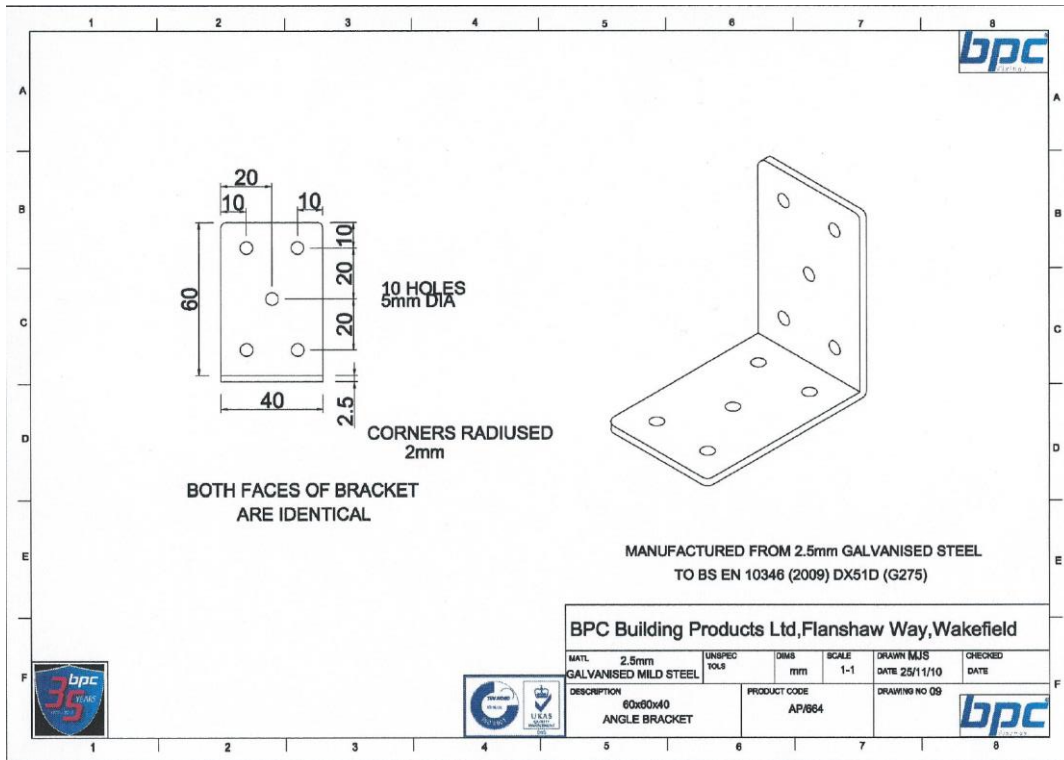


Produced from galvanised steel to BS EN 10346:2009 + G275 as standard, or stainless steel grade 304 to BS EN 10088-2 Grade 1.4301, available to order.

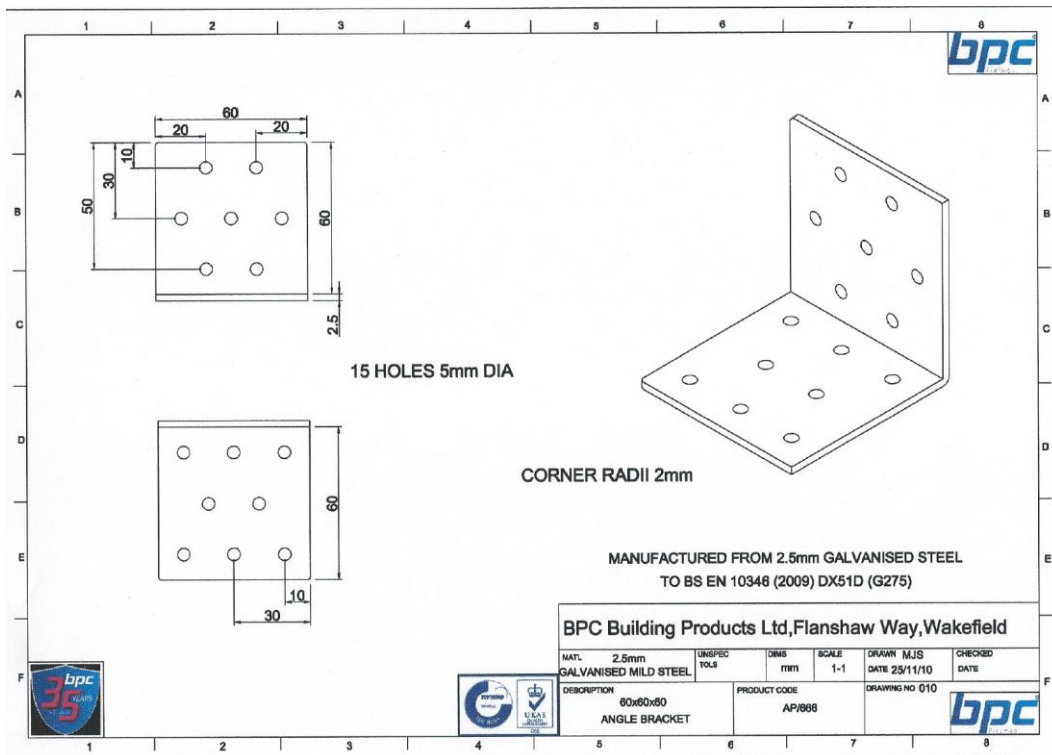
AP/442



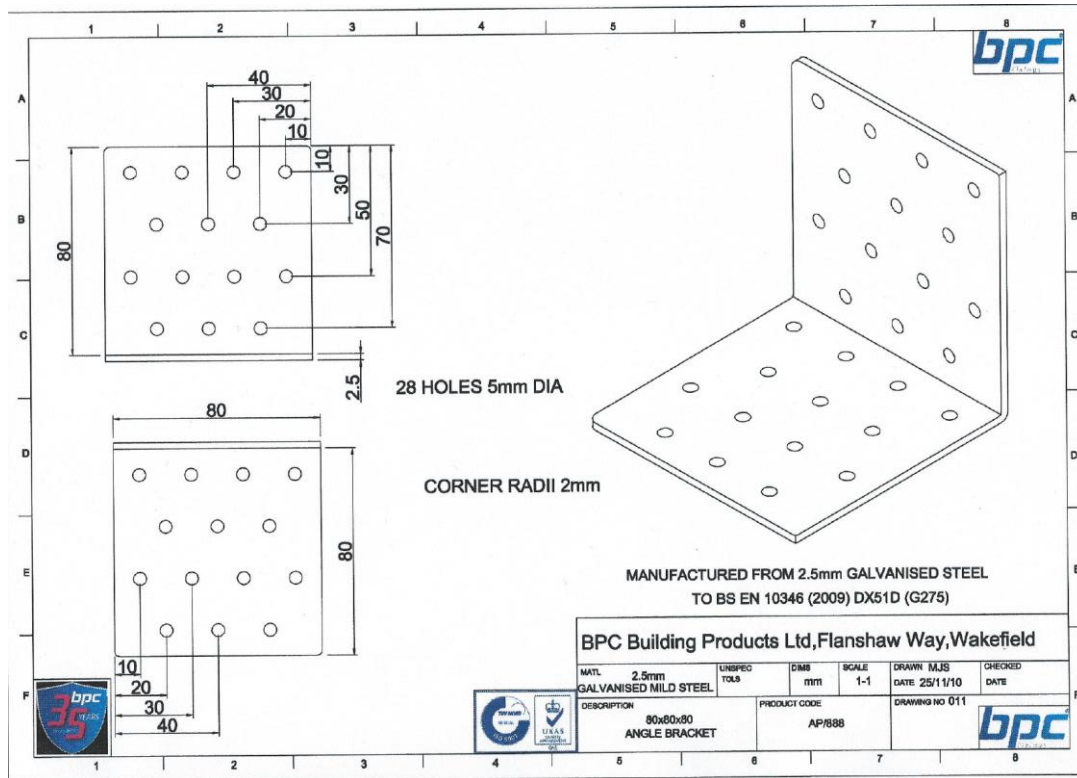
AP/664



AP/666



AP/888



AP/60X200F

